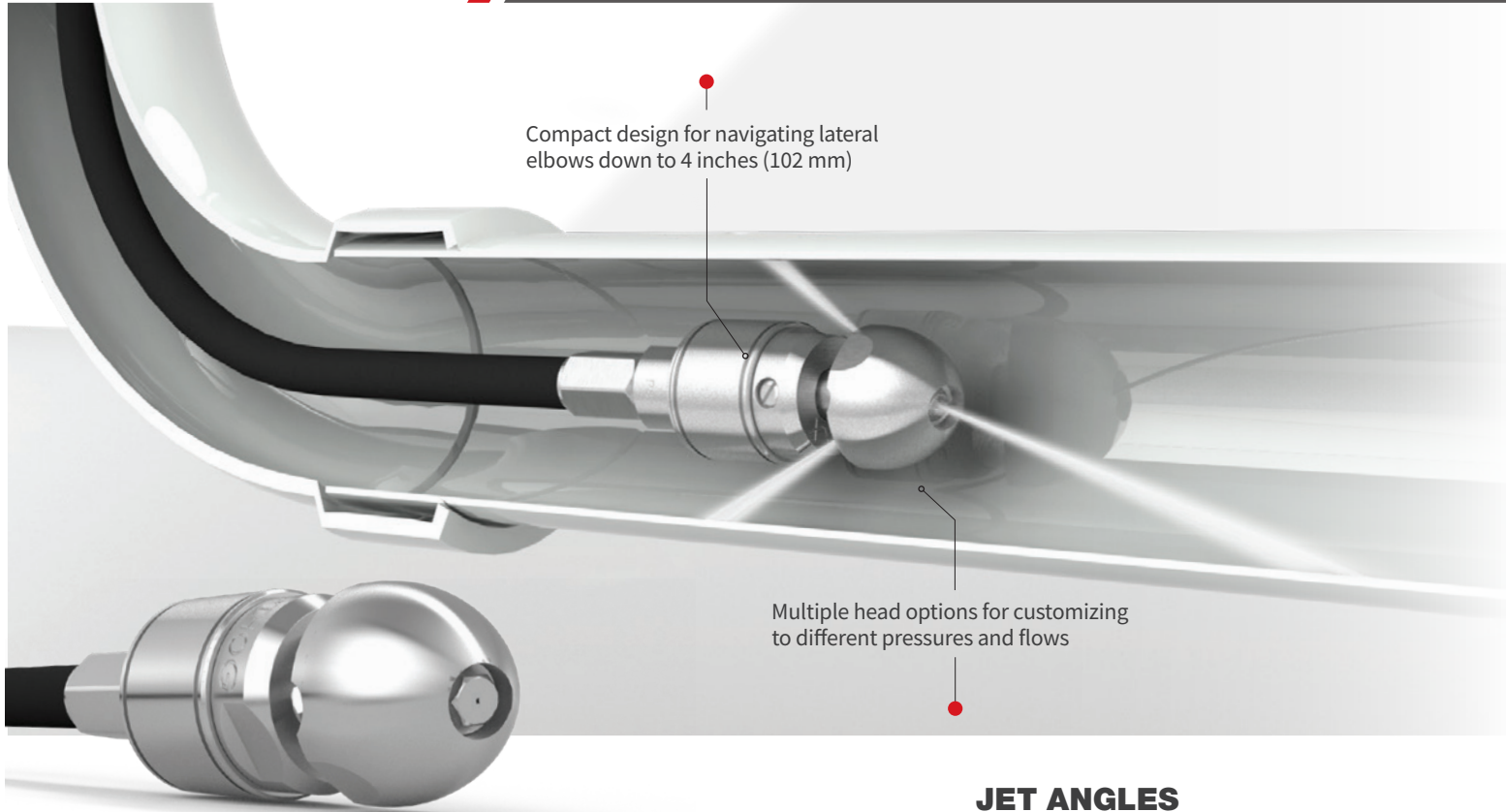




4-8" LINES



WS-1/2

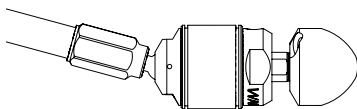
PIPE SIZE: 4-8" LINES (102-203 MM)
INLET: 1/2" NPT OR BSPP

BENEFITS:

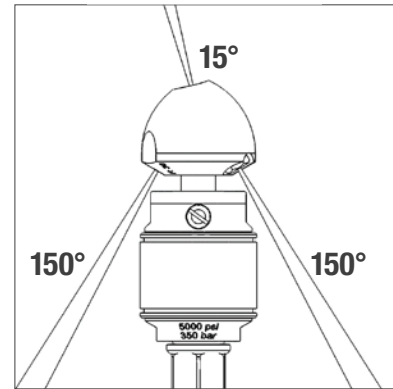
- Navigates sweeping bends
- Included whip hose saves wear on sewer hose
- Descaling head available

WS-J JOINTED INLET OPTION

The inlet hose rotates to the side, shortening the rigid length of the tool. Allows access to tighter areas.



JET ANGLES

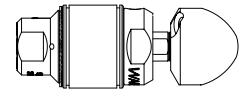


WS-P8 RIGID INLET OPTIONS

INLET: 1/2" NPT OR BSPP

The whip hose is removed, allowing the hose to connect directly to the tool.

NOTE: 4" (102 mm) 90° bends are not negotiable with this configuration.



MODEL/ INLET	PRESSURE RANGE		FLOW RANGE		HEAD	NOZZLE PORTS	JET TYPE	PORT PLUG	WEIGHTS		DIAMETER x LENGTH	
	PSI	BAR	GPM	LPM					LB	KG	IN.	MM
WS-1/2	1200-5K	83-345	12-21	45-79	WS 040-R3	3 X 1/8 NPT	AP2	GP 025-P2SS	2.95	1.33	1.9 X 4.4	48 X 112
			9-12	34-45	WS 040-R5							
WSDS-1/2 DESCALER	1200-5K	83-345	12-21	45-79	WS 040-DS-R3	3 X 1/8 NPT	AP2	GP 025-P2SS	2.95	1.33	1.9 X 4.4	48 X 112
			9-12	34-45	WS 040-DS-R5							