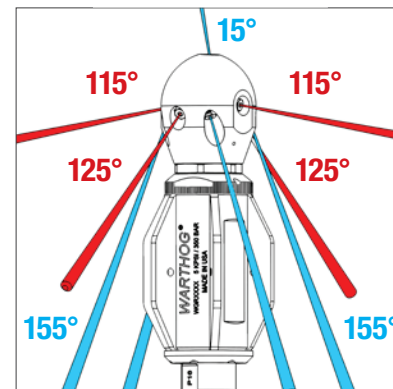


Individually replaceable centralizer fins made from hardened steel

Two sets of jets allow the tool to switch between pulling or cleaning without leaving the pipe



JET ANGLES



Pulling/Flushing Mode
Cleaning Mode

WGR SWITCHER

PIPE SIZE: 8-36" (203-914 MM)

INLET: 1" NPT, 1-1/4" NPT OR BSPP

BENEFITS:

- Two tools in one - both puller and descaler
- Saves time and water
- Switch jet patterns without ever leaving the pipe
- Customized jetting for each mode of operation

MODEL/INLET	PRESSURE RANGE		FLOW RANGE		HEAD	NOZZLE PORTS	JET TYPE	PORT PLUG	WEIGHTS		DIAMETER X LENGTH	
	PSI	BAR	GPM	LPM					LB	KG	IN.	MM
WGR-1-SWT	1200-5K	83-345	50-80	189-303	WGR 040-R31-SWT	9 X 1/8 NPT	CNP2	GP 025-P2SS	14.5	6.6	4.5 X 11	114 X 279
WGR-1 1/4-SWT	1200-5K	83-345	80-100	303-379	WGR 040-R20-SWT	9 X 1/8 NPT	CNP2	GP 025-P2SS	14.9	6.8	4.5 X 11.5	114 X 292