



Individually replaceable centralizer fins made from hardened steel

Controlled rotation allows jets time to evenly clean and clear lines

8-36" LINES

WGR-1-1/4 MAGNUM

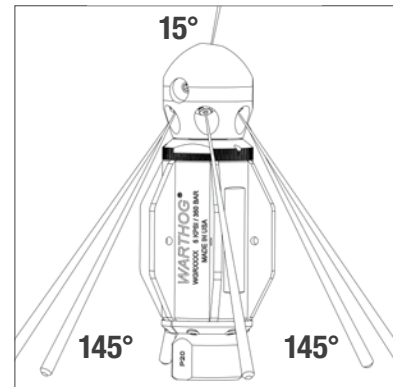
PIPE SIZE: 8-36" (203-914 MM)

INLET: 1-1/4" NPT OR BSPP

BENEFITS:

- Reduced operation expense and less downtime
- High flow capacity up to 120 gpm (450 l/min)
- Effectively handles recycled water
- Carbide nozzles generate higher quality, longer lasting jets
- Independently replaceable centralizer fins
- Optional fin sizes for different pipe diameters

JET ANGLES



MODEL/ INLET	PRESSURE RANGE		FLOW RANGE		HEAD	NOZZLE PORTS	JET TYPE	PORT PLUG	WEIGHTS		DIAMETER x LENGTH	
	PSI	BAR	GPM	LPM					LB	KG	IN.	MM
WGR-1¼	1200-5K	83-345	80-120	303-454	WGR 042-R20-SDS	9 X 1/8 NPT	CNP2	GP 025-P2SS	13.55	6	4.5 X 10.5	114 X 267