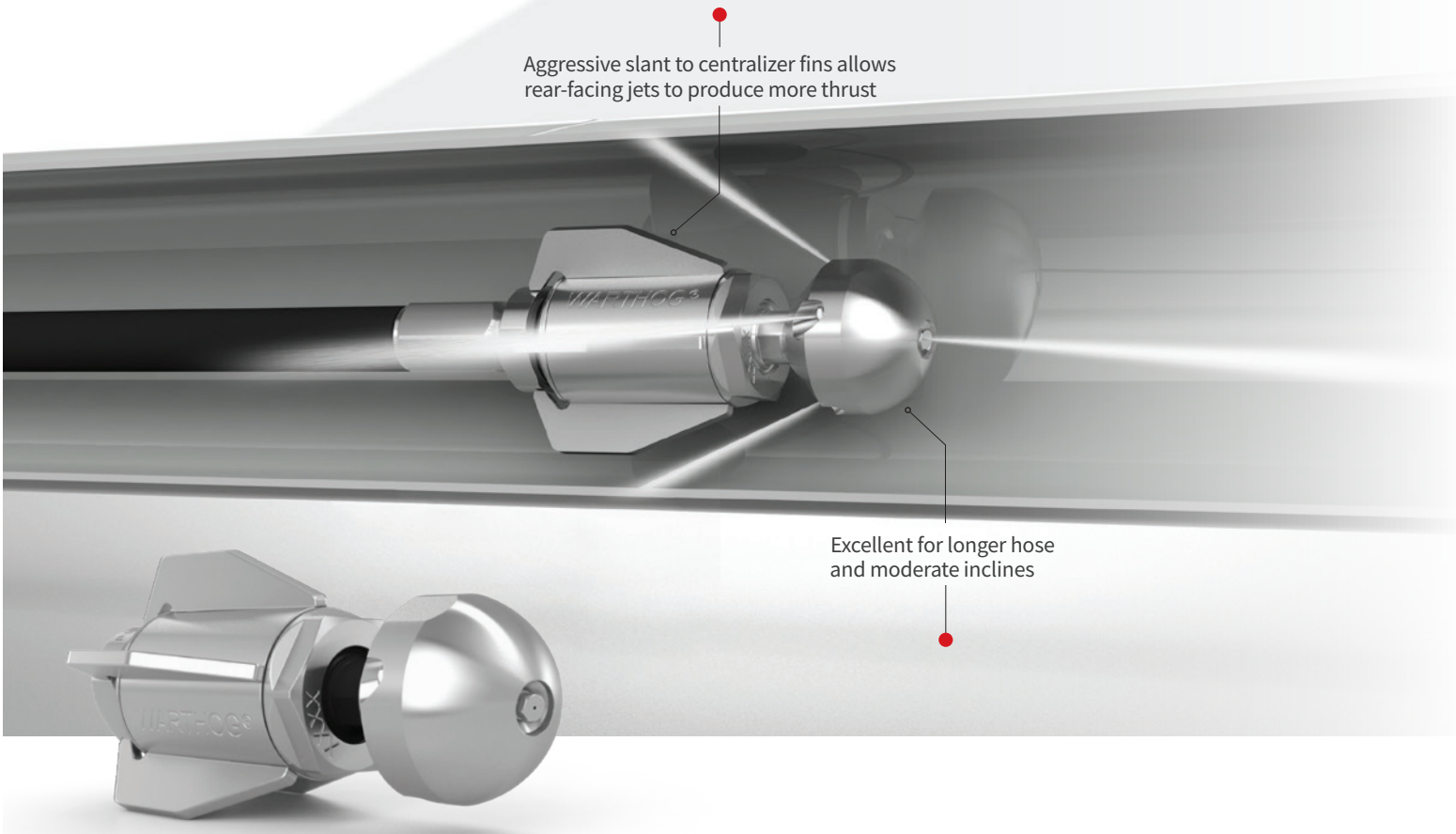




6-18" LINES



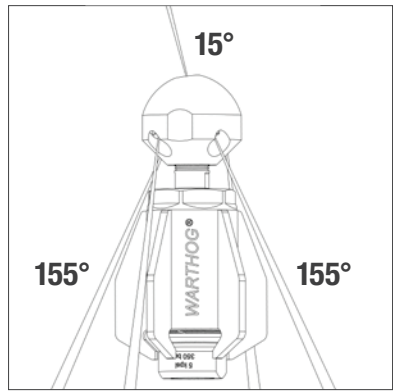
WGP-1

PIPE SIZE: 6-18" LINES (152-457 MM)
INLET: 1" NPT OR BSPP

BENEFITS:

- Handles longer hose and steeper inclines
- Streamlined fin design reduces hangups and enhances pulling power
- Produces up to 40% more pulling power than the WG-1
- Controlled rotation allows jets to penetrate deeper through deposits to clean and clear pipes

JET ANGLES



MODEL/ INLET	PRESSURE RANGE		FLOW RANGE		HEAD	NOZZLE PORTS	JET TYPE	PORT PLUG	WEIGHTS		DIAMETER x LENGTH	
	PSI	BAR	GPM	LPM					LB	KG	IN.	MM
WGP-1	1200-5K	83-345	50-80	189-303	WGP 040-R8	5 X 1/8 NPT	AP2	GP 025-P2SS	10.9	4.9	4.8 X 9.1	122 X 231