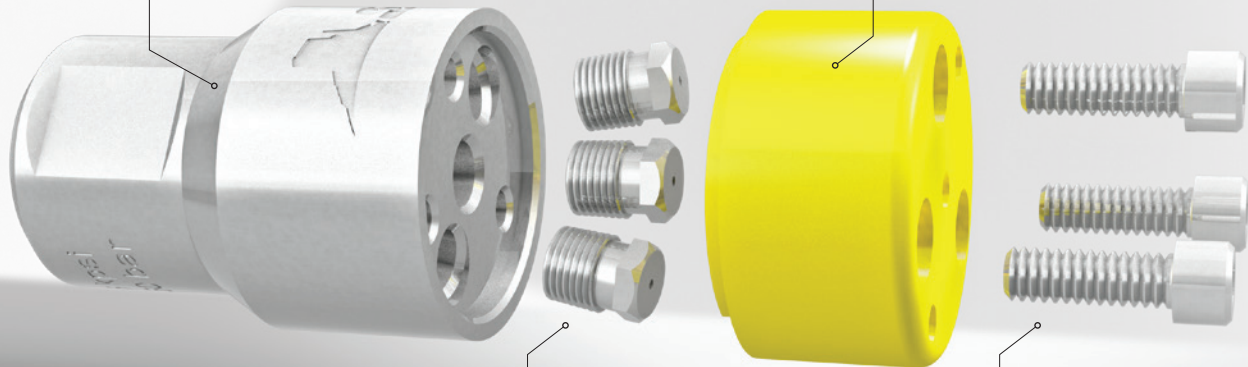




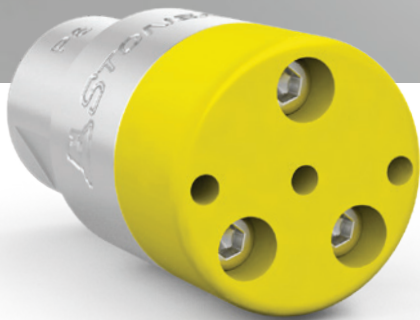
1/2" NPT inlet. Made from long lasting, corrosion resistant stainless steel.

Replaceable shield cap. Made from durable, impact resistant UHMW.

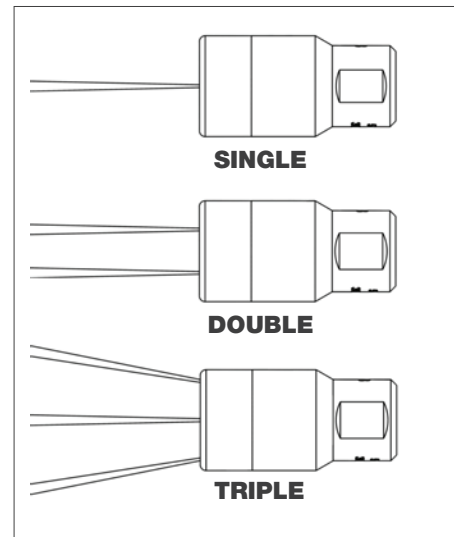


AP2 Attack Tip Nozzles. Utilizes replaceable 1/8" npt (3.175 mm) AP2 Attack Tip nozzles (HX-102/103 models).

Easy maintenance. Simply remove three screws to replace the shield or access the replaceable nozzles.



THREE OPTIONS AVAILABLE



HYDRO EXCAVATION.

BENEFITS:

- Three models available
- 1/2" NPT inlet connection
- Replaceable high visibility urethane guard

MODEL	PRESSURE RANGE		FLOW RANGE		JET TYPE	WEIGHTS	
	PSI	BAR	GPM	LPM		LB	KG
HX-101	UP TO 5K	345	2-15	8-57	1 X OC1H CARBIDE	1.1	0.5
HX-102	UP TO 5K	345	2-15	8-57	2 X AP2 ATTACK TIP	1.1	0.5
HX-103	UP TO 5K	345	2-15	8-57	3 X AP2 ATTACK TIP	1.1	0.5